



Published May 2026

Shelving Guide

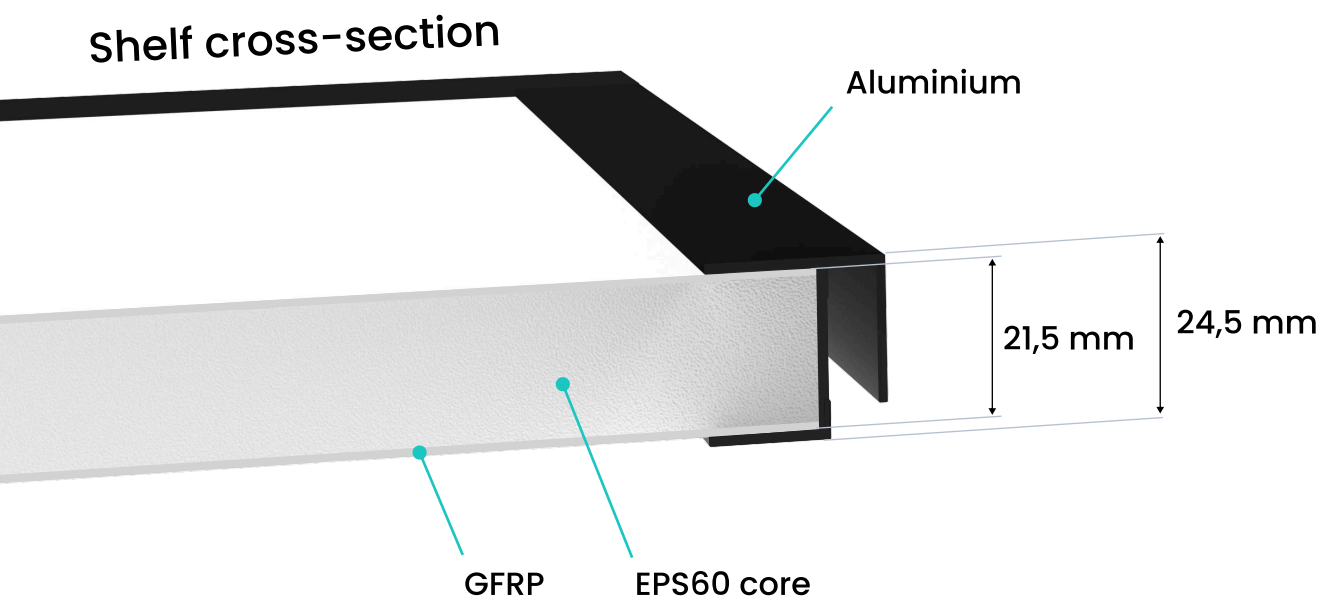
For Vok XL, XLR models



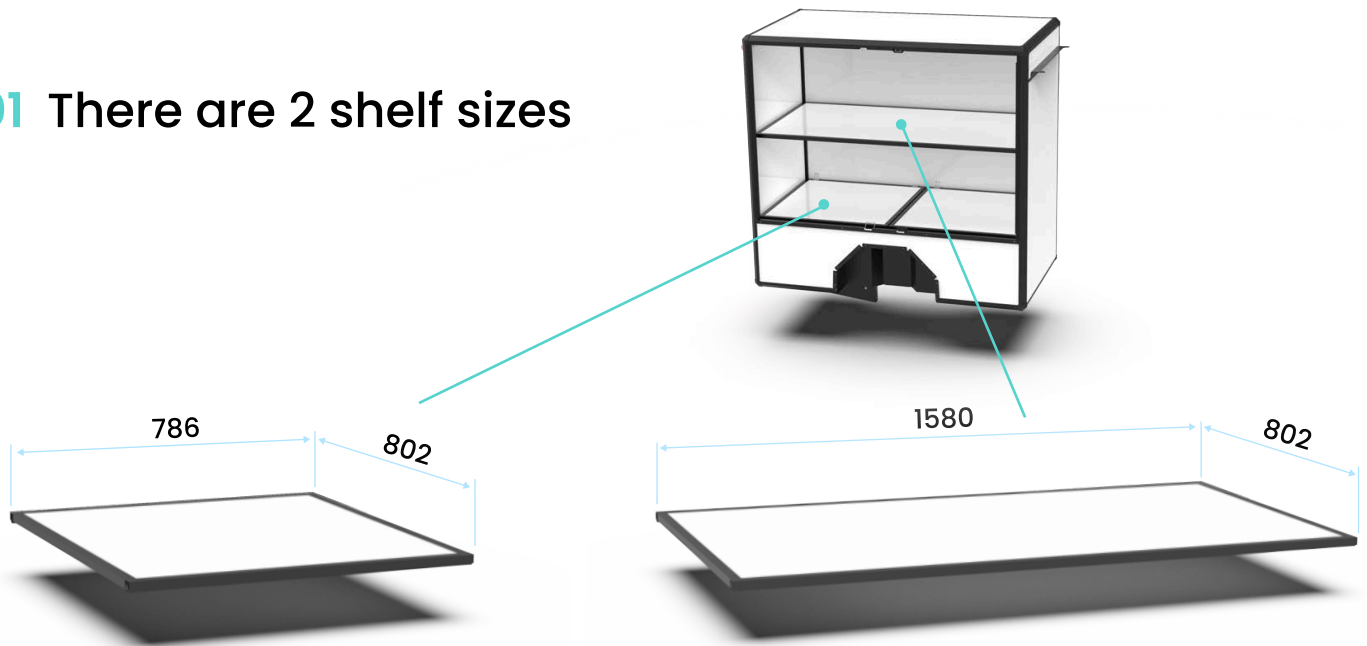
Got questions? Contact sales@vokbikes.com

Table of contents

1	Main instructions for XL	3
2	Common XL shelf combinations	6
3	Custom XL shelf placement possibilities	7
4	Main instructions for XLR	8
5	Shelving kits	11



01 There are 2 shelf sizes



Small shelves (VOK2XL-A8S4S B.1)

- 786 x 802 mm
- Covers half of the area of the box (2 shelves will cover the whole box)
- Upper positions always require a central support post (T1-T5)
- Fit - XL, XLR box

Large shelves (VOK2XL-A8S4L B.1)

- 1580 x 802 mm
- **Covers the whole area of the box (!)**
- Fit - XL box

02 For small shelves, there are 2 installation locations

1. FRONT



2. REAR



03 There are 6 mounting positions



Top shelves T1-T5

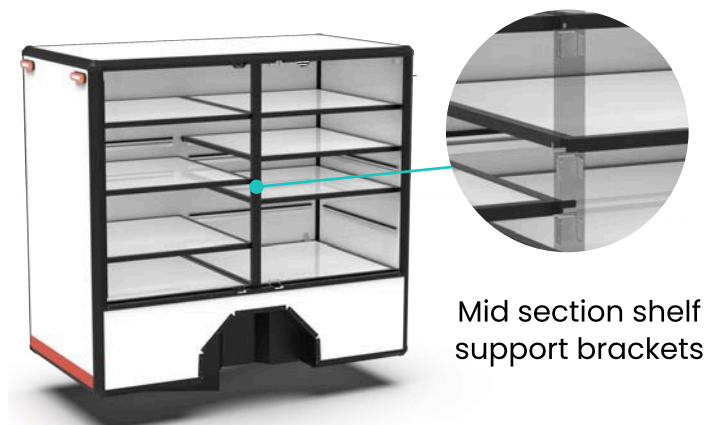
- Rest on mounting rails
- Can easily be removed
- Require additional mounting rails to change the height
- Small shelves or large shelves

Bottom shelves B1

- Shelves in **B1** position can easily be lifted to access the area under the shelves (box floor)
- Lifted position is assisted by gas struts
- **Small shelves only (!)**

04 You will need a support post when:

- Adding small shelves to T1-T5 positions



05 Please take notice of the load capacities



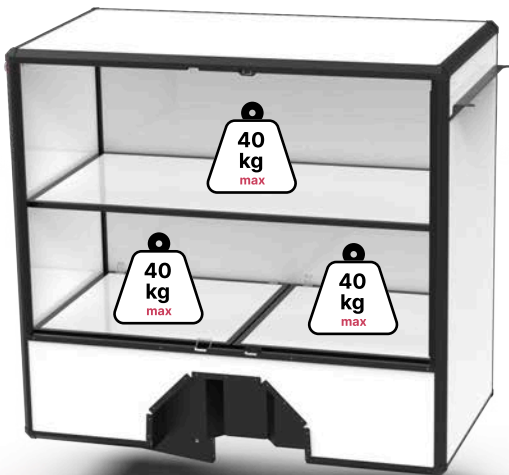
TAKE NOTICE

Although the box floor can support up to 200 kg and each shelf can hold 40 kg, the total combined load still must **not exceed 200 kg.**

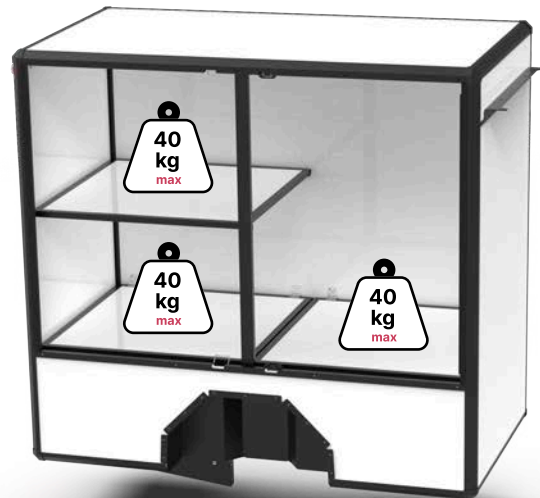
Box floor **200 kg**



Large shelf **40 kg**



Small shelves **40 kg**



Layer

Shelf size

Load capacity

Box floor

No shelves

200 kg

B1

Small shelf + small shelf

40 + 40 kg

T1-T5

Small shelf + small shelf

40 + 40 kg

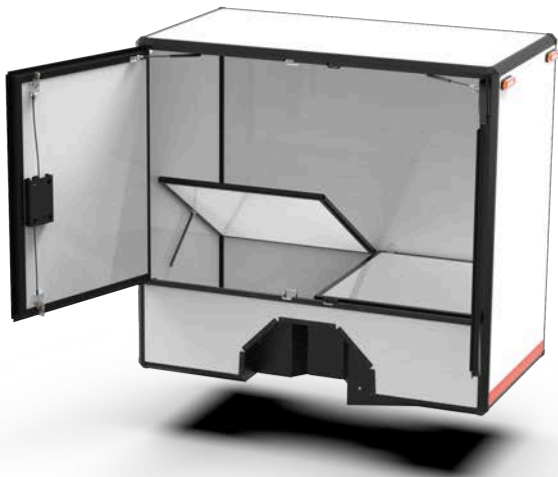
Large shelf

40 kg

Reminder, the total load on all layers combined may **not exceed 200kg**

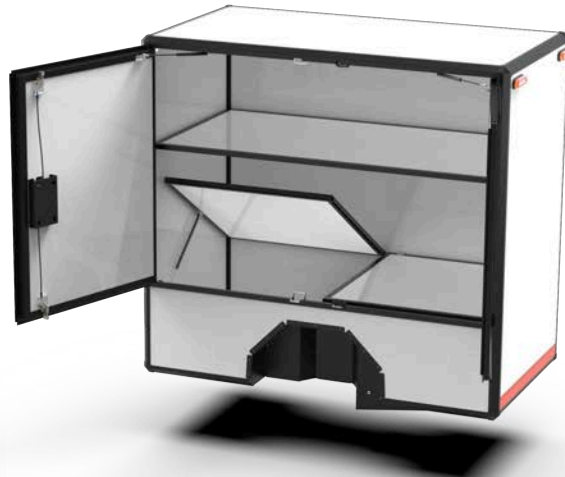
2 shelf combination

2x Lower Shelf Kit (VOK2XL-A8S4S-LOW B.1)



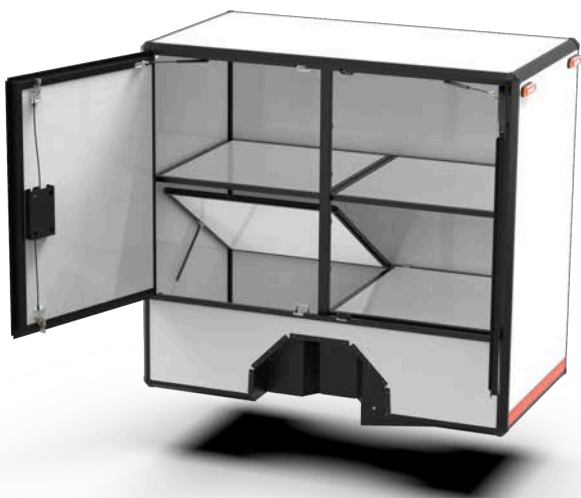
3 shelf combination

2x Lower Shelf Kit (VOK2XL-A8S4S-LOW B.1)
1x Large Upper Shelf Kit (VOK2XL-A8S4L-UP B.1)



4 shelf combination

2x Lower Shelf Kit (VOK2XL-A8S4S-LOW B.1)
2x Small Upper Shelf Kit (VOK2XL-A8S4S-UP B.1)
1x Mounting Rail Kit (VOK2XL-A8-RAIL A.1)



Custom

Please see the placement possibilities on the next page



Custom shelving for XL



When placing an order, please fill in your selection for each shelving position.



T5 Small (front) Small (rear) Large None

T4 Small (front) Small (rear) Large None

T3 Small (front) Small (rear) Large None

T2 Small (front) Small (rear) Large None

T1 Small (front) Small (rear) Large None

Small shelves only, hinge-mounted (raiseable)

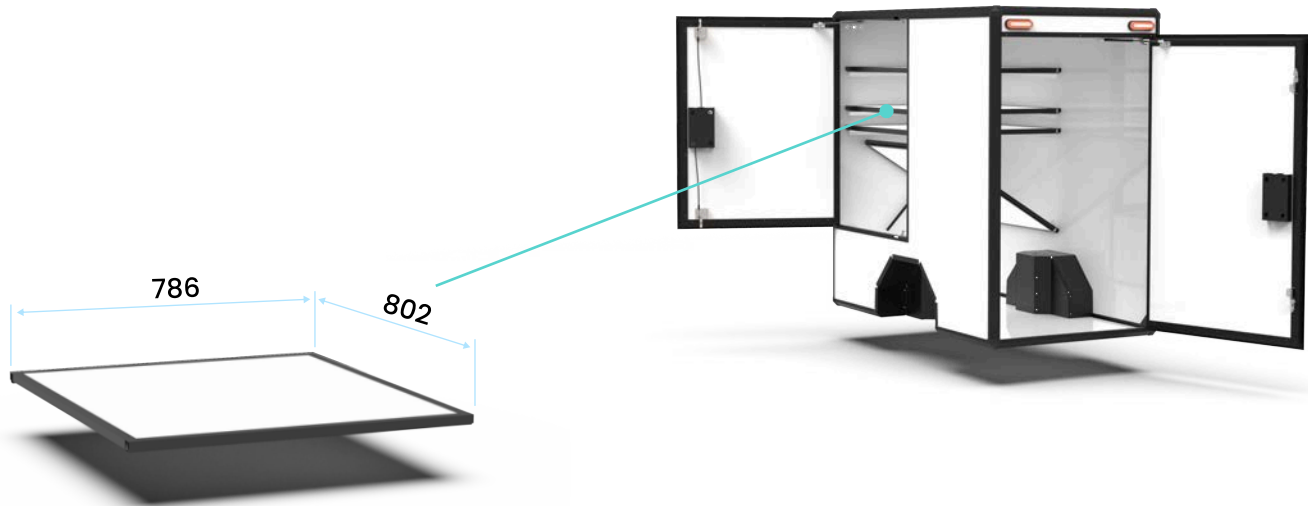
B1 Small (front) Small (rear) None

Additional mounting rails (shelves not included, allows shelf position adjustment)

Front T1 T2 T3 T4 T5

Rear T1 T2 T3 T4 T5

01 There is 1 shelf size



Small shelves (VOK2XL-A8S4S B.1)

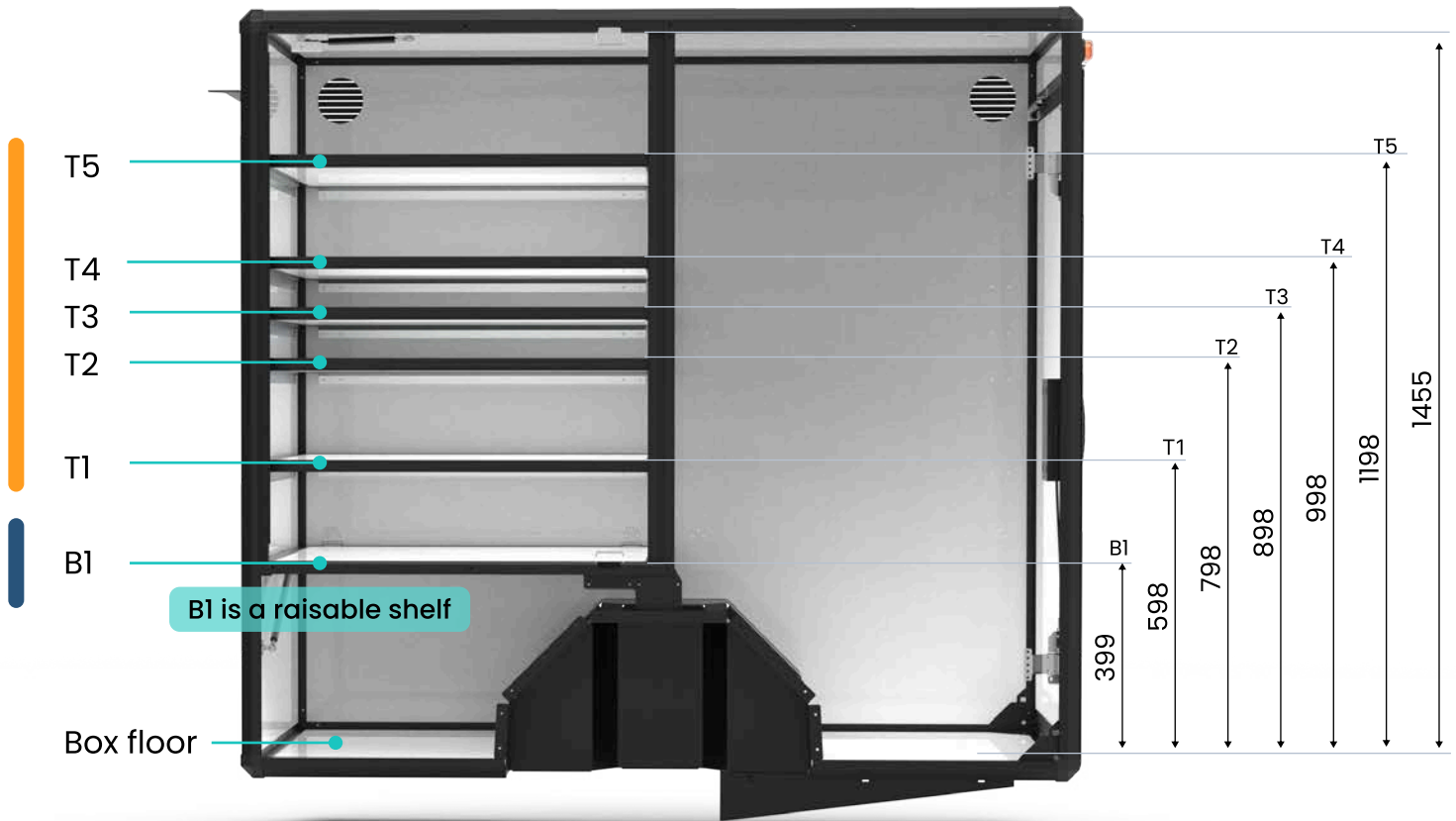
- 786 x 802 mm
- Covers half of the area of the box (2 shelves will cover the whole box)
- Upper positions always require a central support post (T1-T5)
- Fit - XL, XLR box

02 For XLR shelves, there is only 1 installation location

1. FRONT



03 There are 6 mounting positions



Top shelves T1-T5

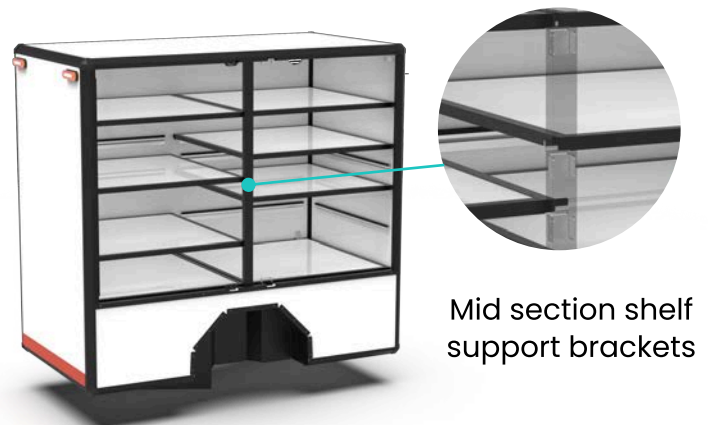
- Rest on mounting rails
- Can easily be removed
- Require additional mounting rails to change the height
- Small shelves

Bottom shelves B1

- Shelves in B1 position can easily be lifted to access the area under the shelves (box floor)
- Lifted position is assisted by gas struts
- **Small shelves only (!)**

04 You will need a support post when:

- Adding small shelves to T1-T5 positions



Mid section shelf support brackets

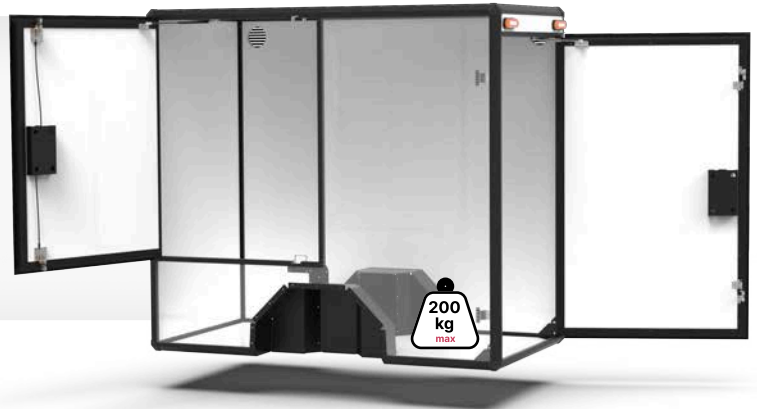
05 Please take notice of the load capacities



Box floor **200 kg**

TAKE NOTICE

Although the box floor can support up to 200 kg and each shelf can hold 40 kg, the total combined load still must **not exceed 200 kg.**



Small shelves **40 kg**



Layer	Shelf size	Load capacity
Box floor	No shelves	200 kg
B1	Small shelf	40 kg
T1-T5	Small shelf	40 kg

Reminder, the total load on all layers combined may **not exceed 200kg**



Lower Shelf Kit (VOK2XL-A8S4S-LOW B.1)

- 1x Small Shelf
- 2x Hinges + Bolts
- 1x Gas Strut
- 1x Lower Shelf Side Mount
- 1x Bumper
- 15x Rivets



Small Upper Shelf Kit (VOK2XL-A8S4S-UP B.1)

- 1x Small Shelf
- 1x Mounting rail kit

***Requires 1 Support Post Kit**



Large Upper Shelf Kit (VOK2XL-A8S4L-UP B.1)

- 1x Large shelf
- 2x Mounting rail kit



Mounting Rail Kit (VOK2XL-A8-RAIL A.1)

- 2x Mounting rail
- 8x Rivets



Support Post Kit (VOK2XL-A8-POST B.1)

- 1x Central support post
- 5x Shelf mid bracket
- 26x Rivets